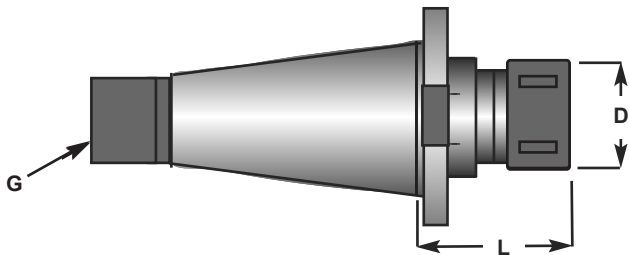


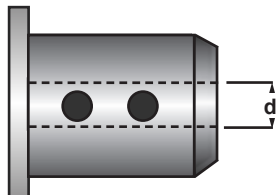
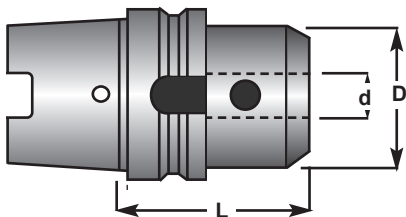
### DIN2080/ISO/QC ER (DIN6499) Collet Chucks

CODE	Collet	D	L	G
QC30-ER16-040M	ER16	28.0 Hex (25.0 A/F)	40.0	M12
QC30-ER25-040M	ER25	42.0 Dia	40.0	M12
QC30-ER32-060M	ER32	50.0 Dia	60.0	M12
QC40-ER16-050M	ER16	28.0 Hex (25.0 A/F)	50.0	M16
QC40-ER25-050M	ER25	42.0 Dia	50.0	M16
QC40-ER32-050M	ER32	50.0 Dia	50.0	M16
QC40-ER40-055M	ER40	63.0 Dia	55.0	M16
DT50-ER32-063M	ER32	50.0 Dia	63.0	M24
DT50-ER40-063M	ER40	63.0 Dia	63.0	M24



### DIN2080/ISO/QC DA Double Angled Collet Chuck

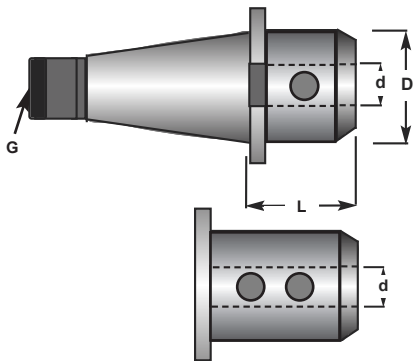
CODE	Collet	D	L	G
QC30-DA188-054M	DA180	43.0 Dia	54.0	M12
QC30-DA208-046M	DA200	28.0 Hex	46.0	M12
QC40-DA188-054M	DA180	43.0 Dia	54.0	M16
QC40-DA208-046M	DA200	28.0 Hex	46.0	M16



When  $d = 25$  &  $32$ mm - 2 Lockscrews

### HSK63A Endmill Adaptors

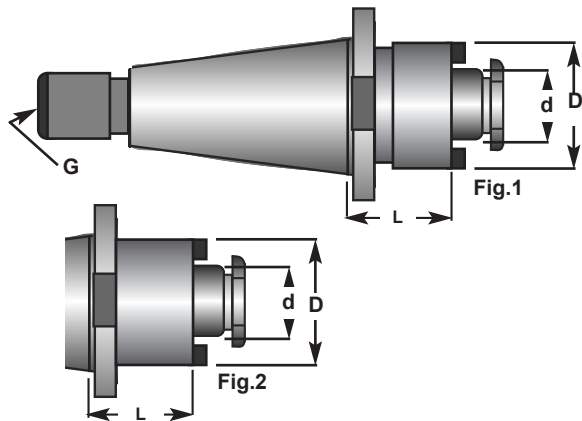
CODE	d	D	L
HSK63A-EM06-065	6.0	25.0	65.0
HSK63A-EM08-065	8.0	28.0	65.0
HSK63A-EM10-065	10.0	35.0	65.0
HSK63A-EM12-080	12.0	42.0	80.0
HSK63A-EM14-080	14.0	44.0	80.0
HSK63A-EM16-080	16.0	48.0	80.0
HSK63A-EM18-080	18.0	50.0	80.0
HSK63A-EM20-080	20.0	52.0	80.0
HSK63A-EM25-110	25.0	65.0	110.0
HSK63A-EM32-110	32.0	72.0	110.0



When d = 25, 32, 40 & 50mm - 2 Lock Screws

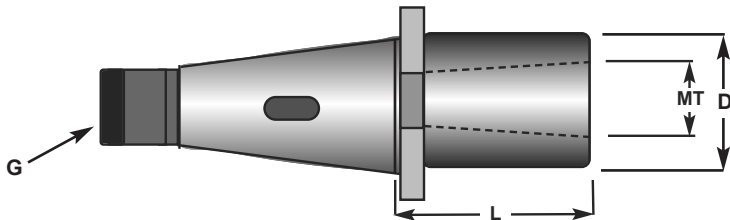
### DIN2080/ISO/QC Endmill Adaptors

CODE	d	D	L	G
QC30-EM06-035M	6.0	25.0	35.0	M12
QC30-EM08-045M	8.0	28.0	45.0	M12
QC30-EM10-045M	10.0	35.0	45.0	M12
QC30-EM12-050M	12.0	42.0	50.0	M12
QC30-EM16-065M	16.0	48.0	65.0	M12
QC30-EM20-055M	20.0	52.0	55.0	M12
QC30-EM25-090M	25.0	65.0	90.0	M12
QC40-EM12-060M	12.0	42.0	60.0	M16
QC40-EM16-060M	16.0	48.0	60.0	M16
QC40-EM20-065M	20.0	52.0	65.0	M16
QC40-EM25-085M	25.0	65.0	85.0	M16
QC40-EM32-095M	32.0	72.0	95.0	M16
DT50-EM06-063M	6.0	25.0	63.0	M24
DT50-EM08-063M	8.0	28.0	63.0	M24
DT50-EM10-063M	10.0	35.0	63.0	M24
DT50-EM12-063M	12.0	42.0	63.0	M24
DT50-EM16-063M	16.0	48.0	63.0	M24
DT50-EM20-063M	20.0	52.0	63.0	M24
DT50-EM25-080M	25.0	65.0	80.0	M24
DT50-EM32-080M	32.0	72.0	80.0	M24
DT50-EM40-090M	40.0	80.0	90.0	M24
DT50-EM50-110M	50.0	97.0	110.0	M24



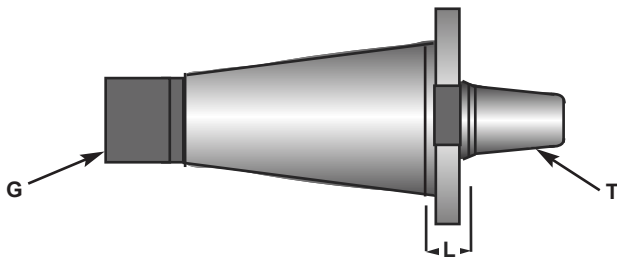
### DIN2080/ISO/QC DA Shellmill Adaptors

CODE	d	D	L	Fig.	G
QC30-SM16-040M	16.0	44.0	40.0	1	M12
QC30-SM22-040M	22.0	49.0	40.0	1	M12
QC30-SM27-040M	27.0	60.0	40.0	1	M12
QC30-SM32-043M	32.0	78.0	43.0	1	M12
QC40-SM16-030M	16.0	44.0	30.0	2	M16
QC40-SM22-036M	22.0	48.0	36.0	1	M16
QC40-SM27-036M	27.0	60.0	36.0	1	M16
QC40-SM32-042M	32.0	80.0	42.0	1	M16
QC40-SM40-043M	40.0	88.0	43.0	1	M16
DT50-SM16-045M	16.0	44.0	45.0	2	M24
DT50-SM22-045M	22.0	50.0	45.0	2	M24
DT50-SM27-045M	27.0	60.0	45.0	2	M24
DT50-SM32-050M	32.0	78.0	50.0	2	M24
DT50-SM40-050M	40.0	88.0	50.0	2	M24



### DIN2080/ISO/QC Morse Taper Adaptors

CODE	MT	D	L	G
QC30-MT2-055M	MT2	32.0	55.0	M12
QC30-MT3-070M	MT3	40.0	70.0	M12
QC40-MT2-050M	MT2	32.0	50.0	M16
QC40-MT3-065M	MT3	40.0	65.0	M16
QC40-MT4-080M	MT4	48.0	80.0	M16
DT50-MT1-045M	MT1	25.0	45.0	M24
DT50-MT2-060M	MT2	32.0	60.0	M24
DT50-MT3-065M	MT3	40.0	65.0	M24
DT50-MT4-070M	MT4	48.0	70.0	M24
DT50-MT5-105M	MT5	63.0	105.0	M24



### DIN2080/ISO/QC Drill Chuck Arbors - Jacobs & DIN238

CODE	T	L	G
QC30-JT33-021M	JT33	21.0	M12
QC30-JT6-021M	JT6	21.0	M12
QC40-JT33-020M	JT33	20.0	M16
QC40-JT6-020M	JT6	20.0	M16
QC40-B16-013M	B16	13.0	M16
DT50-JT6-039M	JT6	39.0	M24
DT50-B16-020M	B16	20.0	M24