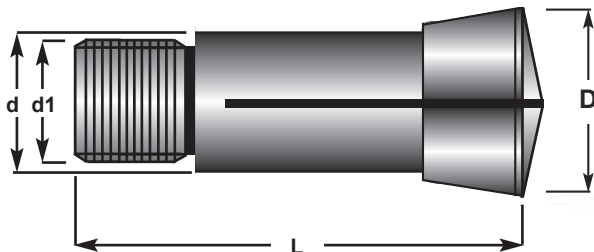


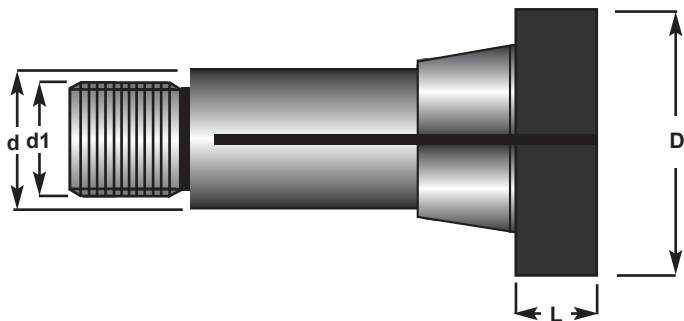
### 5C Collet Specifications

Series	d	d1	L	D	Range
5C Metric - Diameter	31.75	31.44 x 20.0 R/H	83.4	37.3	1-29mm x 1mm Incr
5C Imperial - Diameter	31.75	31.44 x 20.0 R/H	83.4	37.3	1/8"-1" x 1/64" Incr
5C Metric - Hexagonal	31.75	31.44 x 20.0 R/H	83.4	37.3	3-22mm x 1mm Incr
5C Imperial - Hexagonal	31.75	31.44 x 20.0 R/H	83.4	37.3	1/8"-7/8 x 1/8" Incr
5C Metric - Square	31.75	31.44 x 20.0 R/H	83.4	37.3	5-19mm x 1mm Incr



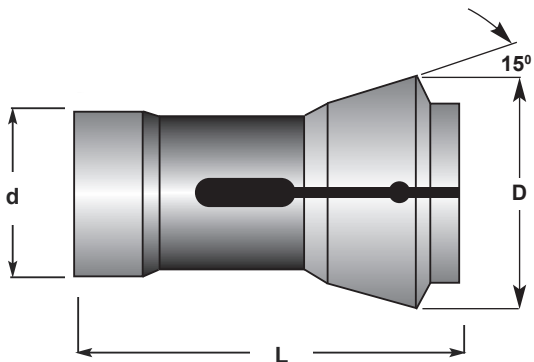
### 5C Emergency Collet

Series	d	d1	L	D	Pilot Bore [Soft]
5C - E1	31.75	31.44 x 20.0 R/H	83.4	37.3	1/16"



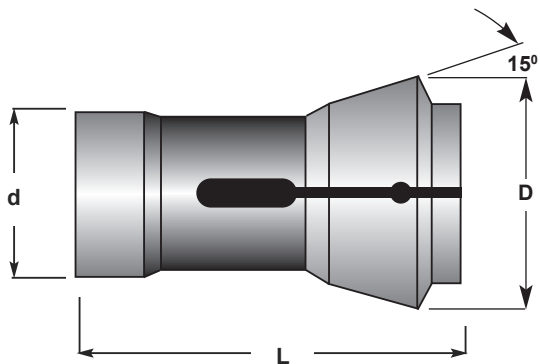
### 5C Step Chucks

Series	D	L	d	d1
5CE-SC2	2"	1.3/16"	31.75	31.44 x 20.0 R/H
5CE-SC3	3"	1.3/16"	31.75	31.44 x 20.0 R/H
5CE-SC4	4"	1.3/16"	31.75	31.44 x 20.0 R/H
5CE-SC5	5"	1.3/16"	31.75	31.44 x 20.0 R/H



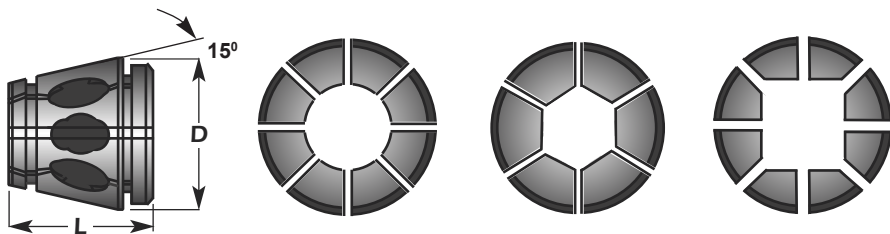
### 173E Collet

Series	Max Dia	Max Hex	Max Sq	d	D	L
173E	42.0mm	38.0mm	30.0mm	48.0	60.0	94.0



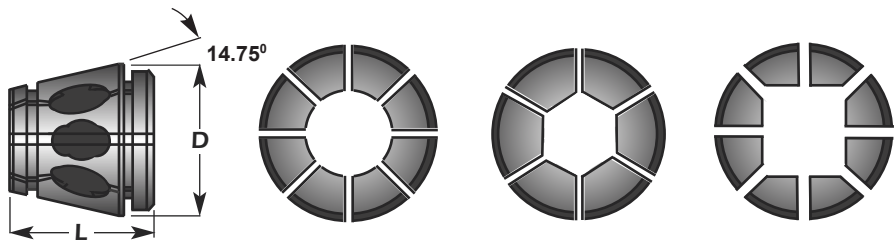
### 185E Collet

Series	Max Dia	Max Hex	Max Sq	$d$	$D$	$L$
185E	60.0mm	52.0mm	42.0mm	66.0	84.0	110.0



### Multirange Collet Specifications

Series	D	L	Range Dia		Range Hex		Range Sq	
			From	Up to	From	Up to	From	Up to
MT980	50.6	42.2	1/16"- 3/16"	1" - 1.1/8"	1/16"- 3/16"	7/8" - 1"	1/16"- 3/16"	5/8"- 3/4"
MT850	70.1	51.8	1/16"- 3/16"	1.5/8"- 1.3/4"	1/16"- 3/16"	1.3/8"- 1.1/2"	1/16"- 3/16"	1.1/8"- 1.1/4"
MT120	88.0	62.7	1/8"- 1/4"	2" - 2.1/8"	1/8"- 1/4"	1.7/8"- 2"	1/8"- 1/4"	1.1/2"- 1.5/8"
MT285	99.3	73.2	1/8"- 1/4"	2.1/2"- 2.5/8"	1/8"- 1/4"	2.1/8"- 2.1/4"	1/8"- 1/4"	1.5/8"- 1.3/4"
MT175	120.0	80.0	1/2"- 5/8"	3" - 3.1/8"	1/2"- 5/8"	2.1/2"- 2.5/8"	1/2"- 5/8"	2" - 2.1/8"



### Multirange Collet Specifications - DIN6343

Series	D	L	Range Dia		Range Hex		Range Sq	
			From	Up to	From	Up to	From	Up to
MT673	61.5	39.0	4.0 - 6.0mm	40.0 - 42.0mm	4.0 - 6.0mm	34.0 - 36.0mm	4.0 - 6.0mm	28.0 - 30.0mm
MT677	81.5	45.0	4.0 - 6.0mm	58.0 - 60.0mm	4.0 - 6.0mm	50.0 - 52.0mm	4.0 - 6.0mm	40.0 - 42.0mm